

BROME MODULAR COMPOSTER

Efficient on-site modular composting systems that adapt to your needs



The components of a modular composter can be modified and assembled to meet a variety of composting needs. Its operation and its design are surprisingly simple and can be adapted to all environments.



✓ **MODULAR SOLUTION**
The system is designed to offer you an efficient integrated solution.

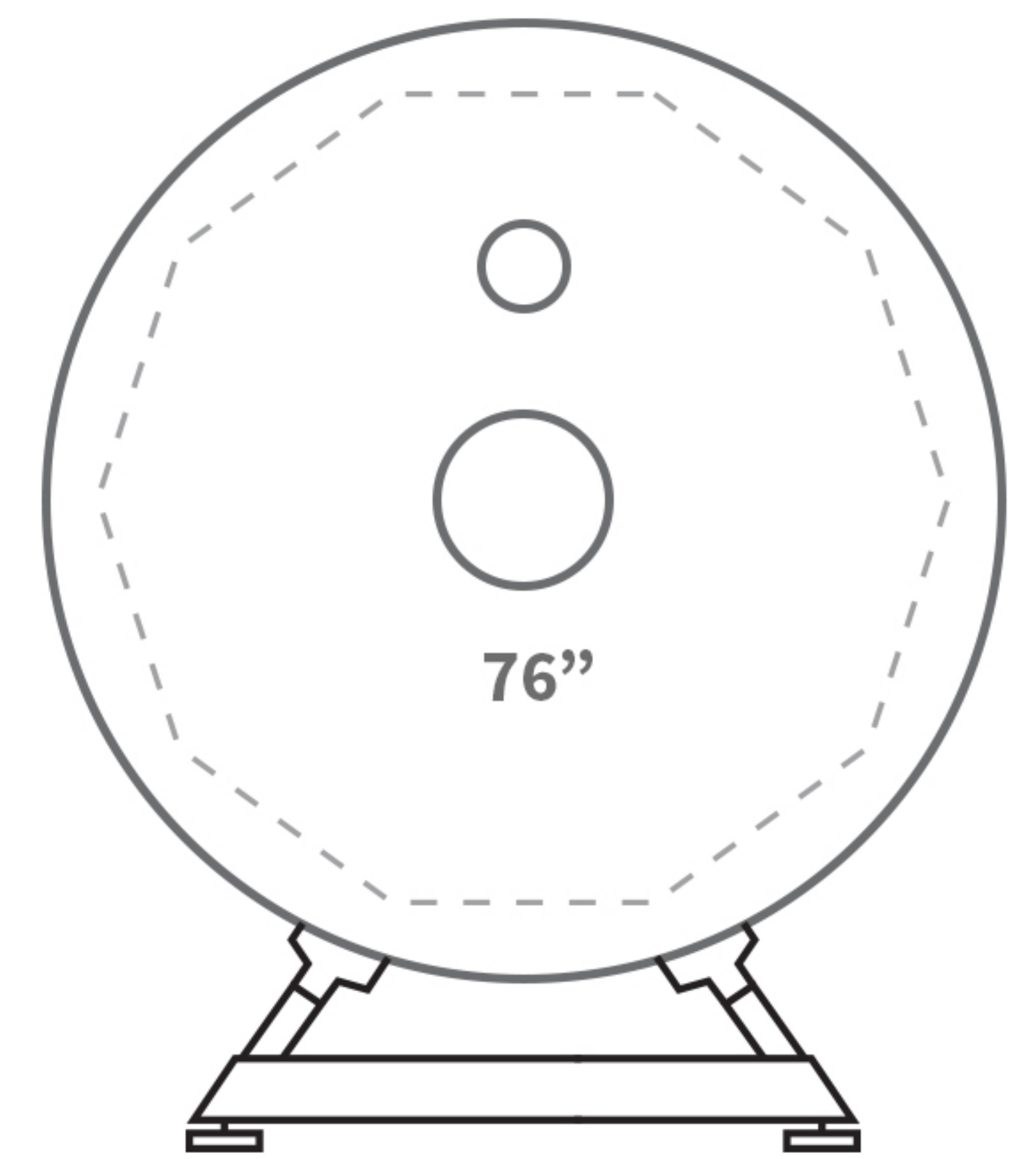
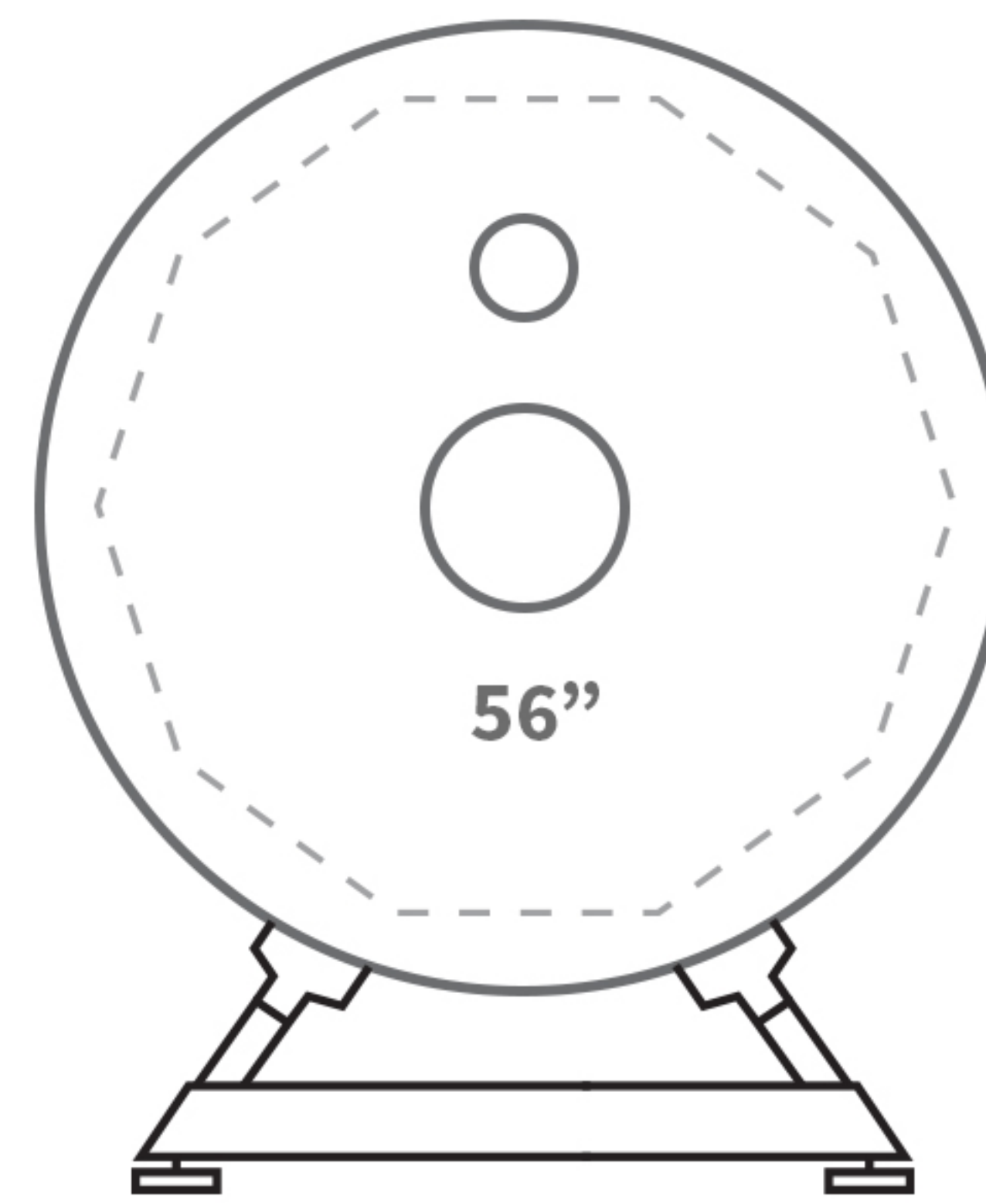
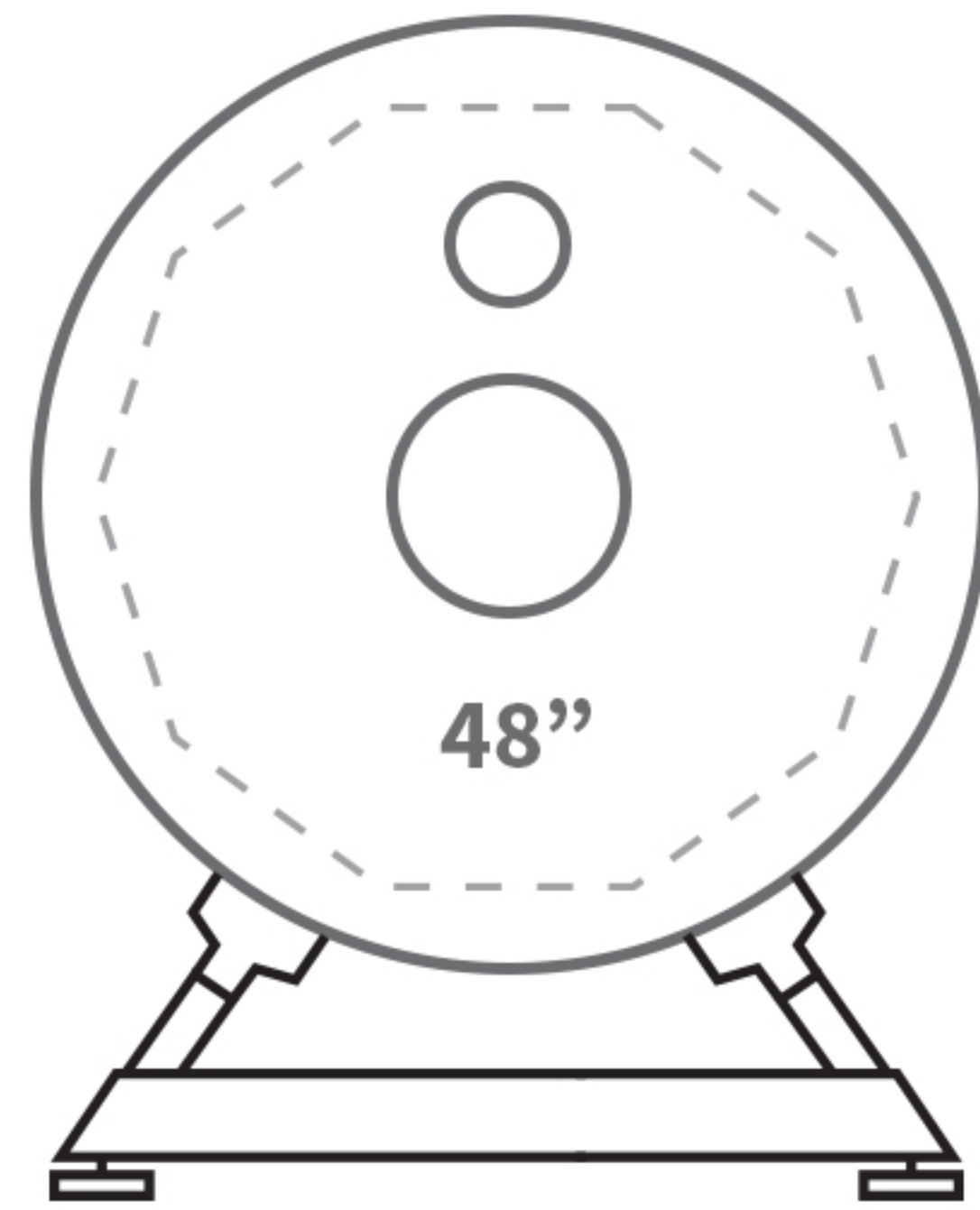
✓ **COST EFFECTIVE**
Save on transport, treatment, storage and landfill costs for all your compostable materials.



KETEK
GROUP

Results Driven.

ROTATING INDUSTRIAL COMPOSTER



SERIES

SERIES 400

SERIES 500

SERIES 600

CYLINDER DIAMETER

48" (121.92 cm)

56" (142.24 cm)

76" (193.04 cm)

CYLINDER LENGTH

10' (3 m) - 16' (4.9 m)

10' (3 m) - 24' (7.3 m)

16' (4.9 m) - 32' (9.7 m)

TOTAL VOLUME

4.7 yard³ (3.5 m³) -
7.4 yard³ (5.7 m³)

6.3 yard³ (4.82 m³) -
15.2 yard³ (11.62 m³)

18.7 yard³ (13.8 m³) -
37.3 yard³ (28.3 m³)

WORKING VOLUME

3.0 yard³ (2.3 m³) -
4.8 yard³ (3.7 m³)

4.12 yard³ (3.15 m³) -
9.88 yard³ (7.55 m³)

12.1 yard³ (9.2 m³) -
24.3 yard³ (18.3 m³)

WEIGHT (EMPTY)

3,960 pounds (1,796 kg) -
4,848 pounds (2,199 kg)

4,460 pounds (2,032 kg) -
6,220 pounds (2,821 kg)

7,700 pounds (3,493 kg) -
13,200 pounds (5,988 kg)

WEIGHT (IN OPERATION)

6,504 pounds (2,950 kg) -
8,911 pounds (4,041 kg)

7,956 pounds (3,609 kg) -
14,611 pounds (6,627 kg)

17,905 pounds (8,121 kg) -
33,611 pounds (15,245 kg)

COMPOSTER MODULES



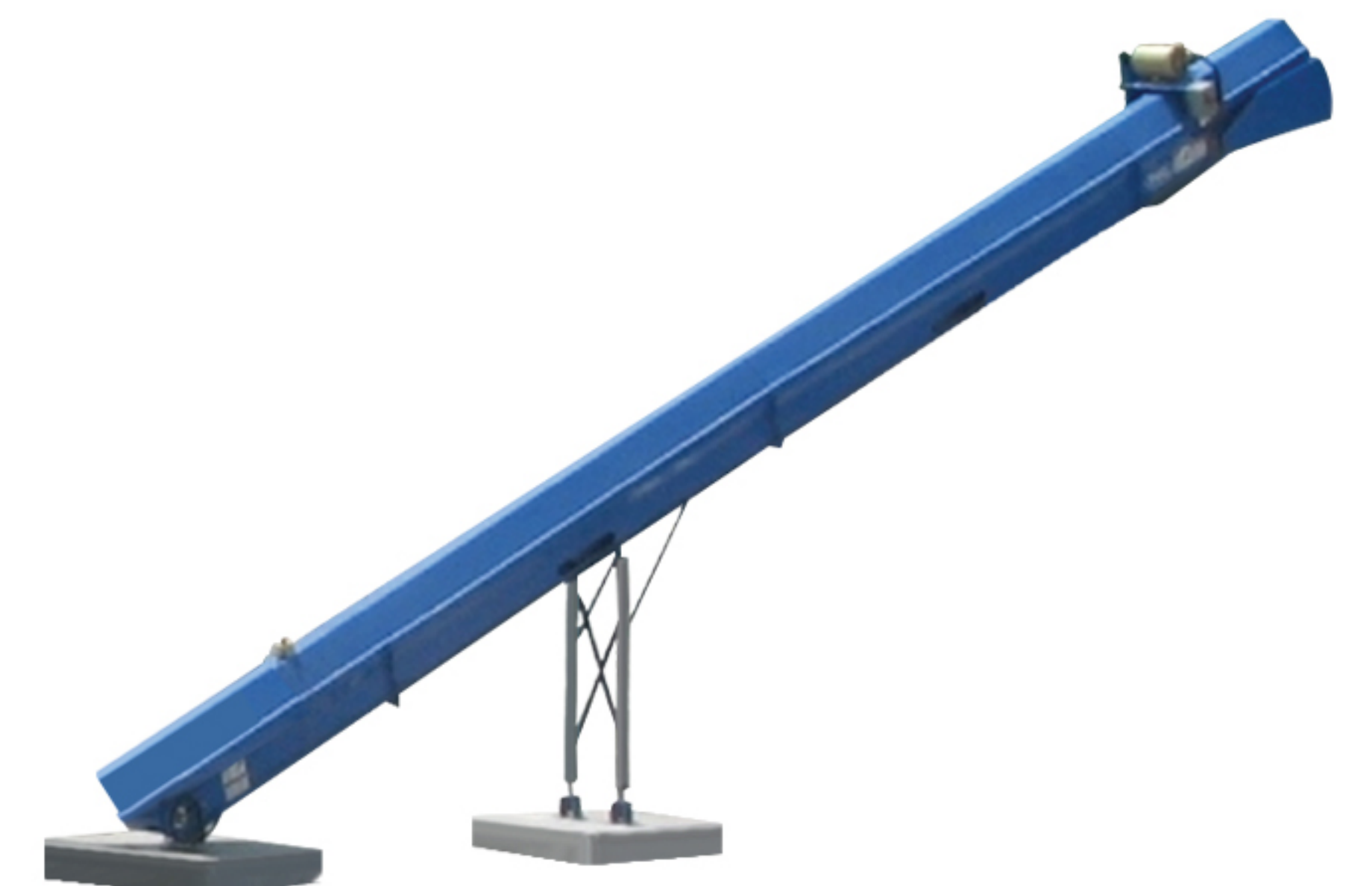
MIXER

Acts both as a feeding system for the composter and as a pre-treatment chamber for organic material.



IN-VESSEL COMPOSTER

Comprised of quality steel, a programmable rotating system, and controlled ventilation, its modular structure makes it adaptable to the evolution of your business.



CONVEYOR

The conveyor can both feed the composter or redirect the compost to a storage area.

**Other accessories available*

- The BROME industrial rotating composter is built to optimize the conditions necessary for making compost based on your particular needs, yet remains low maintenance and easy to operate.
- Brome composting system offers a unique online support service that enables you to optimize the process.
- Every step of the process is controlled to ensure the quality of the compost produced.



Contact Ketek

855-447-5050, Info@ketek.ca
ketek.ca